



LIGHTWEIGHT TILED CONSERVATORY ROOFS

Tel: 0800 625 0000 | www.solarframe.co.uk

WELCOME

The lightweight tiled conservatory roof is a revolution in the glass and glazing industry. It is providing owners of tired, old and energy inefficient conservatories with a radical solution to extreme temperature fluctuations. Join the revolution and insist on a SolarFrame Solid Tiled Conservatory Roof.

The SolarFrame roof has undergone exhaustive testing, design and re-design to arrive at a product for every conservatory design and configuration.

With changes to Building Regulations in September 2010, it is now possible to specify a solid tiled, lightweight roof for every conservatory.

Our aim is to ensure that you specify the correct solution for your conservatory ensuring a safe, warm and building regulations approved investment.





Roof replacement

With the solid tiled roofing systems unique design features, all configurations of roofs can be achieved.

With the solid tiled roofing systems unique design features, all configurations of roof can be achieved. You will be delighted at just how much the roof transforms your cold and tired conservatory into a warm and cosy living space.

INSIST
ON THE
BEST



A SolarFrame Solid Tiled Roof will effectively increase the versatility of your conservatory. Many customers choose to remodel their conservatory internally when they have a solid roof installed, to give the feel of a true lounge. Furniture that you would never have dreamed of putting in your conservatory before can now be positioned with peace of mind that you will not be sitting in the cold.

We also install, if specified, a 350mm lighting pelmet around the internal ring beam, dimmable down lighting or even surround- sound speakers for your audio system to connect to.

The transformation you will benefit from is astounding. Not only will you greatly reduce the energy costs of retaining a moderated living temperature in your conservatory, but you will also have more occasions for spending time in your new improved living space.



A versatile living space

Retains warmth in the winter months whilst keeping incredibly cool on sunny days even in direct sunlight.



Creating an impression
Transform your home and sit back, relax and enjoy your new additional environment.

LIVING SPACE

Transform your conservatory in to an all year round living space.

SolarFrame will co-ordinate each customer's build from start to finish, this includes the organisation and administration of all planning permission and building regulations for their solid tiled roof, to the buffing of windows after completion.

Customers can sit back and relax as their home is transformed, safe in the knowledge that everything is being taken care of.



QUICK EASY

The solid tiled roof installation is a quick and straightforward process.

The existing polycarbonate or glass roof is simply removed, and replaced with a SolarFrame Solid Tiled Roof.

Because our Solid Tiled Roof is so lightweight, it can usually be installed onto existing conservatory frames without the need for extra foundations.

The benefits of a SolarFrame Solid Tiled Roof can be felt immediately. The greatest benefit is that it will regulate the temperature of your conservatory – keeping it cool during summer and warm and cosy in winter. A room that can be enjoyed 365-days of the year.



Installation

SolarFrame Solid Tiled Roofs are incredibly lightweight, so customers can often keep their existing frames if they don't want to replace them.





The difference

Our Solid Tiled Roofs provide complete privacy from overlooking neighbouring windows.



MORE PRIVACY

There are so many improvements to make at the time you are choosing your SolarFrame roof, both internally and externally.

Glass roofs are difficult to keep clean and can make your conservatory feel like a glass box. The SolarFrame roof gives you more privacy from your neighbours, whilst eliminating almost all sun-glare experienced with polycarbonate and glass roofs.



IT'S YOUR CHOICE

Choose your conservatory roof style and tile colour.

When it comes to choosing your perfect SolarFrame roof, we have compiled a collection of photographs to provide you with some inspiration. Making the right choice for your conservatory will be made that much easier by studying some of the photographs of past installations.

For more images,
please visit our website:
www.solarframe.co.uk

Choices

The options are endless. Our design consultants will work with you to create a solid tiled conservatory that is the perfect extension to your home.





BEAUTIFUL INTERIORS

Vaulted Ceilings

For many conservatory owners, the internal aspect is the part of the SolarFrame roof conversion they look forward to most. The look and feel of a vaulted and plaster-finished ceiling, with recessed LED spotlights, will be what makes your transformation complete.



Internal perfection

Your new improved conservatory will make the ideal space for dining, for lounging, for living – no longer the unused, unloved room that it was before.

By opting for a spacious vaulted ceiling, your transformed conservatory will have the feeling of a modern, state of the art extension.

The difference that a solid tiled roof will have make to your old, unused and unloved conservatory will be breath-taking. You will be amazed at how quickly you will fall back in love with your conservatory.



BEAUTIFUL EXTERIORS

Unique features

When choosing a SolarFrame Solid Tiled Roof, you will be choosing the only lightweight tiled roof system available with a structurally built in matching soffit and fascia system – a fundamental design feature. Our experienced design consultants will colour-match your product to ensure that your conservatory design will really compliment your home. You can also choose to have your soffit fitted with LED downlights to accentuate features and really make a statement of your conservatory.



After our transformation



Before our transformation



Looking good

Providing owners of tired, old and energy inefficient conservatories with a radical solution.



OUR SHOWSITE

SolarFrame has the largest outdoor conservatory showsite in the region – come and say hello!

We are open 7 days.

Monday – Friday: 9.00am – 5.00pm
(Late Night on Thursday: 9.00am – 7.00pm)

Saturday: 10.00am – 4.00pm

Sunday: 10.00am – 4.00pm

Bank Hols: 10.00am – 4.00pm

SolarFrame

Davey Road, Goldthorpe, Rotherham, S63 0JF





TAILOR-MADE

Every SolarFrame roof is tailor-made for each individual conservatory.

The roofs are precision surveyed and manufactured in our on-site factory in Goldthorpe to ensure a perfect fit to every size and configuration of roof.



Individual

Full range of colour matching frames, fascias, soffits and gutters to suit your choice of windows.



BEFORE AND AFTER

The solid tiled roof is the dawn of a new era in the conservatory market and will benefit 1000's of customers for generations to come.

When replacing your old conservatory roof with a SolarFrame roof you are immediately reducing your properties carbon footprint, reducing your energy costs, and adding value to your home.

After our transformation





Aesthetically pleasing

The SolarFrame Solid Tiled Roof eliminates any need to climb ladders for cleaning dirty roofs - the tiles won't collect moss, mould or algae for which Polycarbonate roofs are renowned for.



Before our transformation

FINISHING TOUCHES

The finishing touches to your SolarFrame roof will add a great deal to the enjoyment you will have for years to come. Lighting and ventilation will pay a major part in the daily use of your conservatory so we offer the following finishes:



DAKEA roof vents

Roof lights and roof ventilation have been in popular use for the past 150 years. High quality materials and state of the art production techniques enable DAKEA to ensure excellent quality control and create durable, safe and functional roof windows that, together with their unrivalled insulation properties, are breaking new ground in roof window design and construction.

Insulation

The FTT highly-energy efficient roof windows have been designed taking into account the stringent requirements of passive construction. This specialized and innovative design provides excellent performance by ensuring high efficiency of thermal energy.

Lighting

Internal lighting

With a choice of internal lighting types to select from, we will provide you with the lighting of your choice which can be fitted in the ridge bulkhead or a newly installed lighting pelmet which will be plaster finished to match the interior of your roof as a whole.



External lighting

The unique design of the SupaLite roof incorporates an external fascia and deep soffit. Many customers choose external LED's to be fitted into the soffit creating a feature that is both functional and aesthetically pleasing in the evenings. With long life and low running costs the external LED's can be left on all night in areas where security is needed.

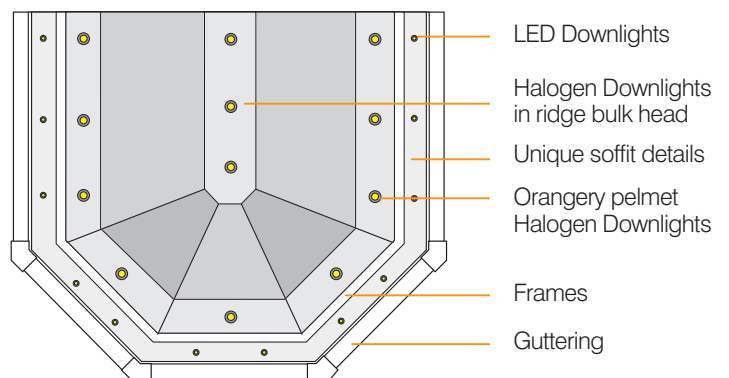
All lighting is installed by fully qualified and insured NiCEIC qualified electricians and will be covered with our business comprehensive warranty.

Security

Secure window features a range of innovative solutions which makes it more burglary resistant. The window is fitted with laminated and burglary-resistant P2A glazing, new system preventing glazing removal and handle with a lock.

External Flashings

Precisely designed flashing details ensure a durable and neat fit with the roofing material used. The purpose of flashing is to ensure good drainage away from the window and to provide protection from the elements. As there are many roofing materials available, DAKEA offers a range of flashing solutions. All flashings are manufactured using aluminium as standard, permanently protected with a polyester varnish.



Lightweight tiled roof

The aluminium framed roof is the perfect replacement roof for your conservatory.

BENEFITS

- The solid tiled roof gives an incredible u-value of 0.18, that meets total building regulations.
- Lightweight aluminium fully structural frame with frame connector system for when new windows or doors are to be fitted to a new or existing building.
- Choice of tile and slate colours, all tiles are tried and tested for many years in USA, Canada and Australia, giving you total peace of mind in extreme weather conditions.
- 25 year guarantee on tiles with a life expectancy of over 40 years.
- Large roof vents are available to allow in maximum light.
- Full range of colour matching fascias, soffits and gutters to suit your choice of windows.
- Easy to install to existing conservatory frames.

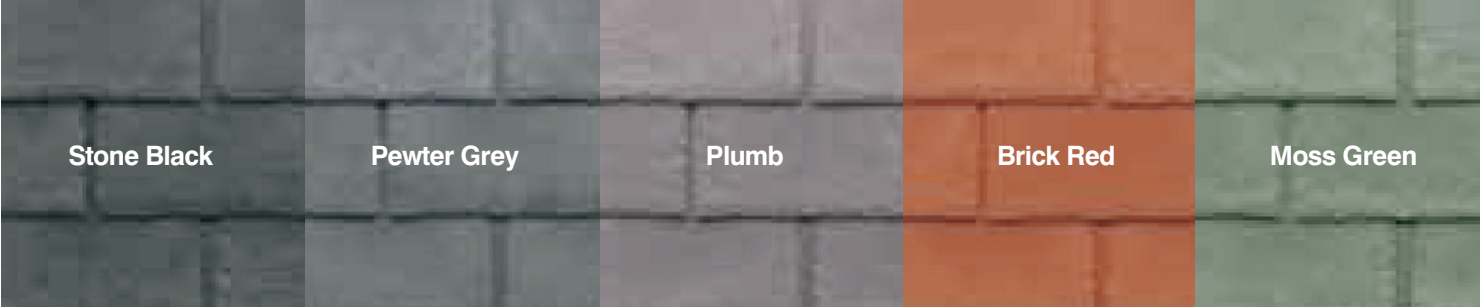
Unrivalled product

In depth research & enormous investments is what makes this the perfect replacement roof.





TAPCO SLATE



Tapco Slate

Why Tapco Slate?

For centuries, slate roofing has been desired for its durability and beauty. With authentic surfaces and edges, Tapco Slate highlights the handsome character of slate, at the same time enhancing roof performance through innovative design. Unlike natural slate, Tapco Slate won't break or delaminate and comes with a Limited Lifetime Warranty.

BBA Certified Tapco Slate gives you the power to evoke both historical elegance and outstanding modern-day style. Our slates are created with moulds cast from real slate to capture genuine peaks, plateaus and curves. Colour-through design and UV stabilisation ensure "stay-true" richness for traditional colours such as Pewter Grey, Plum, bold tones like Brick Red and unique selections such as Moss Green and Grey/Black blended tiles.

Tapco Slate Mixes are another feature of our unique colour choices, they deliver uncommon elegance through boldly-appealing multiple colours to turn your roof into a work of art.



EXTRALIGHT TILES

Charcoal

Walnut

Ember

Extralight Tile

Why ExtraLight?

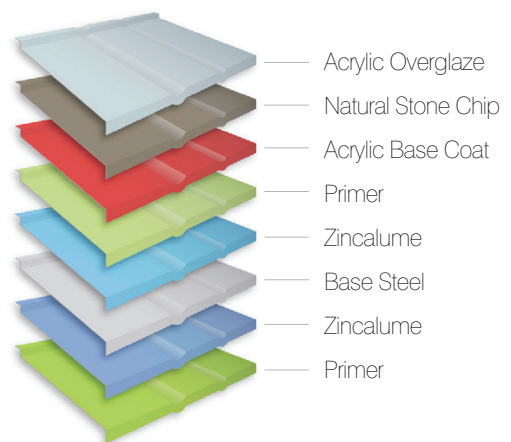
Extensive research and development in the design process ensures every ExtraLight product is manufactured to the highest quality with exceptional durability and strength.

The tile profiles and roofing accessories are engineered to interlock and overlap to resist wind lifting and keep out the harsh elements. At less than 7kg/m², our ExtraLight tile is suitable for lightweight roof construction, so considerable cost savings can be achieved during construction.

The perfect replacement for your old existing roof, letting you improve the look and value of your home in a matter of days.

25 year Guarantee

25 year guarantee on tiles with a life expectancy of over 40 years !



FALL IN LOVE

“

We have completely remodelled our conservatory by fitting a SolarFrame roof to create an all year round living room. This is what we always wanted. It's perfect.

The SolarFrame team were so friendly, professional, courteous and careful to keep any disruption to an absolute minimum, they made the whole experience a pleasure and put us at ease throughout the entire process.

The best decision we made was not getting our roof replaced but choosing SolarFrame to replace it.

Michaela and Shaun Thorpe

”



Fall in love with your conservatory again.

By fitting a SolarFrame solid tiled roof and new energy efficient frames you can transform your tired old conservatory into a room you can use all year round.





SAVING THE PLANET

Your new roof might not save the planet, but it will go a long, long way to helping you reduce your property's carbon footprint.

By fitting a solid tiled roof to your domestic conservatory, you along with our products are making a most immediate and significant contribution towards reducing your carbon footprint. It really is impossible to estimate just how much energy you will save with your roof replacement, as every roof installation is unique. However, with a u-value of just 0.18 the energy savings are vast. The SolarFrame roofs offer the optimum insulation levels to your conservatory as standard and are the sure choice when it comes to roof replacement.



Your carbon footprint

With optimum insulation levels and a u-value of just 0.18 the energy savings are vast.

www.solarframe.co.uk

With over 30 years' experience in the glass and glazing industry, Managing Director Steve Taylor started the SolarFrame brand in 2009 as a manufacturer, distributor and installer of uPVC windows, doors and conservatories.

WHY SOLARFRAME?



Over the past 6 years, SolarFrame has gained accreditations with the BSI, BBA, CE Marks and BFRC registration. Working hand in hand with a number of well-respected companies and industry professionals, SolarFrame can ensure that every customer is provided with everything they could possibly want and that any work carried out is to the highest possible standard.

In 2013, the company added another string to its bow with the decision to start manufacturing solid conservatory roofs, and is now one of Yorkshire's largest manufacturers of the solid tiled roof system.

In December 2016, SolarFrame was endorsed as a Which? Trusted Trader after successfully passing their extensive and rigorous assessment. This endorsement qualifies that we are; a reputable company, our policies are accurate; our service is reliable, our customer testimonials are genuine and our staff are qualified and certified.

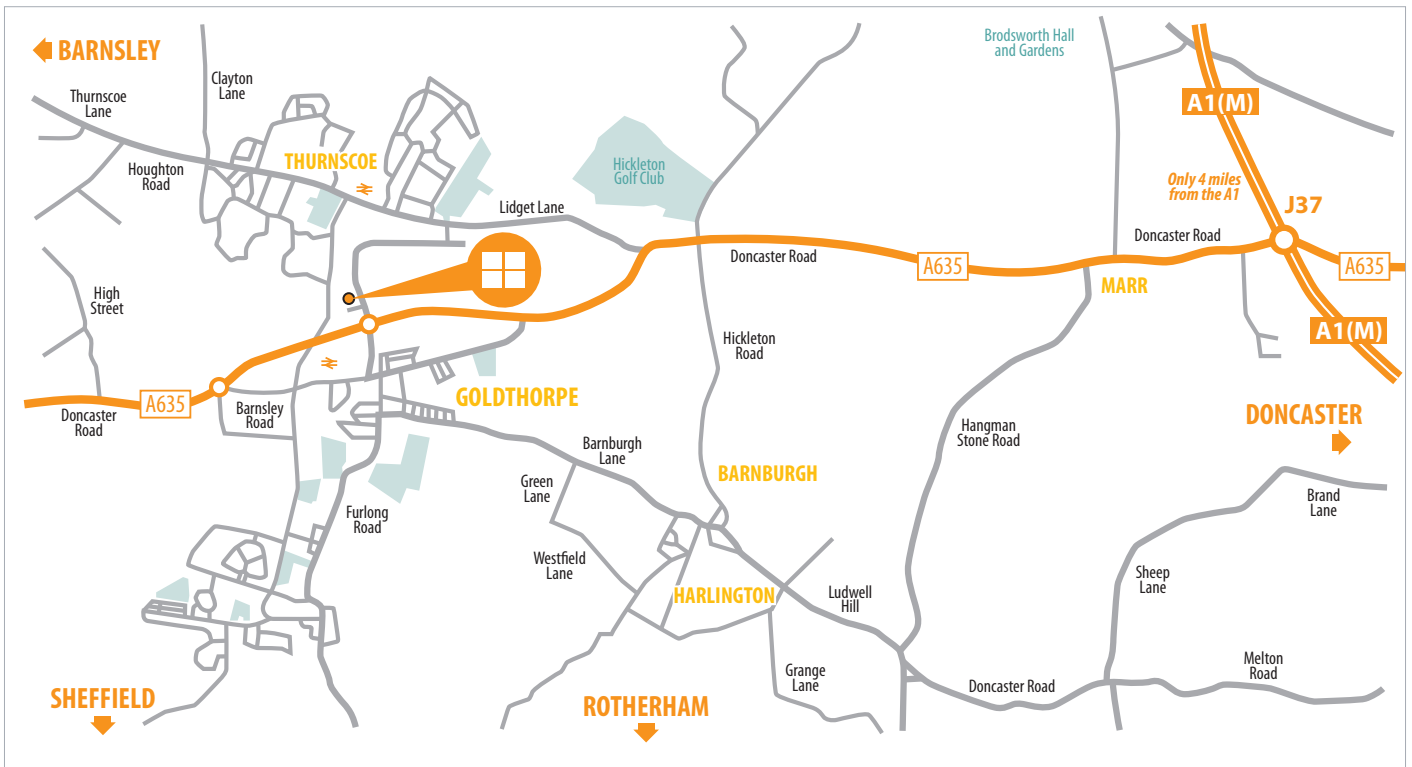
Customers choose SolarFrame because they know that they are guaranteed to receive quality products from an ever-professional, experienced team.

SolarFrame customers do not need to lift a finger – our dedicated team will do all of the work from the initial building regulations and planning permissions (if required) to the cleaning of windows after fitting – no stone is left unturned.



Second to none

Customers choose SolarFrame because they know that they are guaranteed to receive quality products from an ever-professional, experienced team.



SolarFrame

energy saving windows & conservatories

0800 625 0000

www.solarframe.co.uk

Davey Road, Goldthorpe, Rotherham, South Yorkshire, S63 0JF



SolarFrame is Yorkshire's exclusive manufacturer of the Supalite Solid Tiled Roof